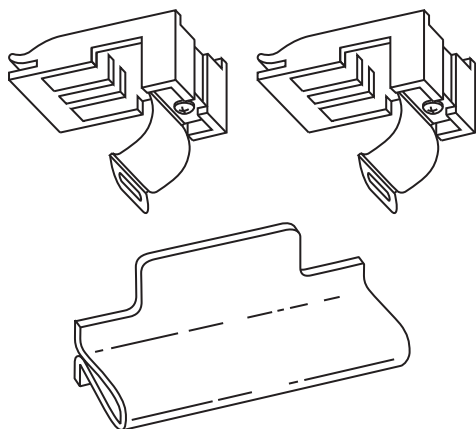
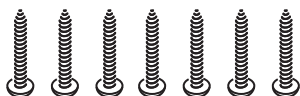


INSTALLATION AND CARE INSTRUCTIONS

Cordless Easy Glide Roman Shade

PACKAGE CONTENTS

- 2 or 3 mounting brackets, depending on size
- 5 or 7 screws, depending on size
- bottom rail handle for lifting and lowering shade



TOOLS REQUIRED

Phillips screw driver, pencil

OPERATING AND CLEANING INSTRUCTIONS

Always use the plastic handle to move the shade up and down.
Avoid touching the fabric.

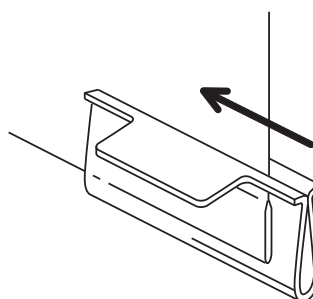
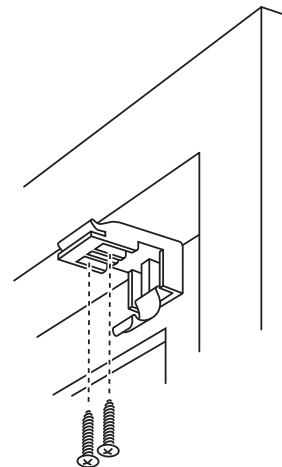
To clean the shade use a vacuum or feather duster.

INSTALLATION

Inside Mount

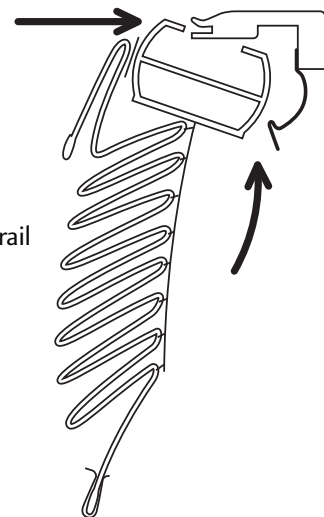
Flush inside mount requires 2" depth.

- ① Mark location of brackets and screw to the window frame. The brackets should lie 3-4" from each end of where the shade will be installed.



- ② Attach the bottom rail handle to the bottom rail of the shade.

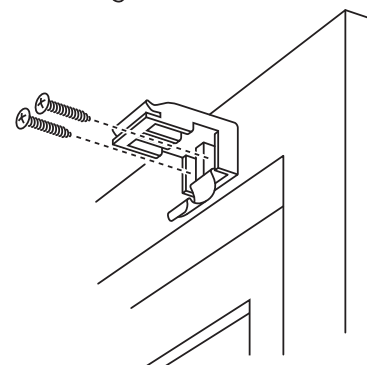
- ③ Attach the headrail to the brackets as shown.



Outside Mount

For maximum draft and light control the headrail should overlap each inside edge of the window by at least 1/2".

- ① Mark location of brackets and screw to the window frame. The brackets should lie 3-4" from each end of where the shade will be installed.



Follow steps 2 and 3 from above.